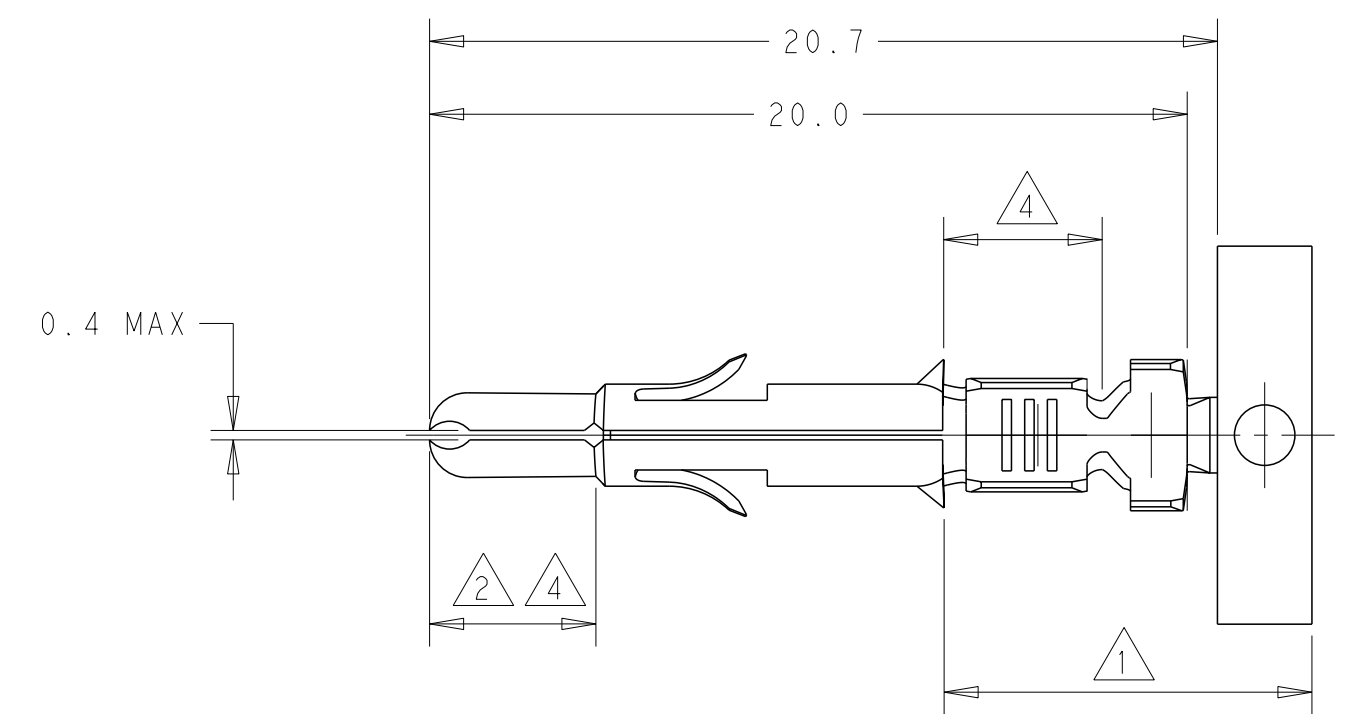
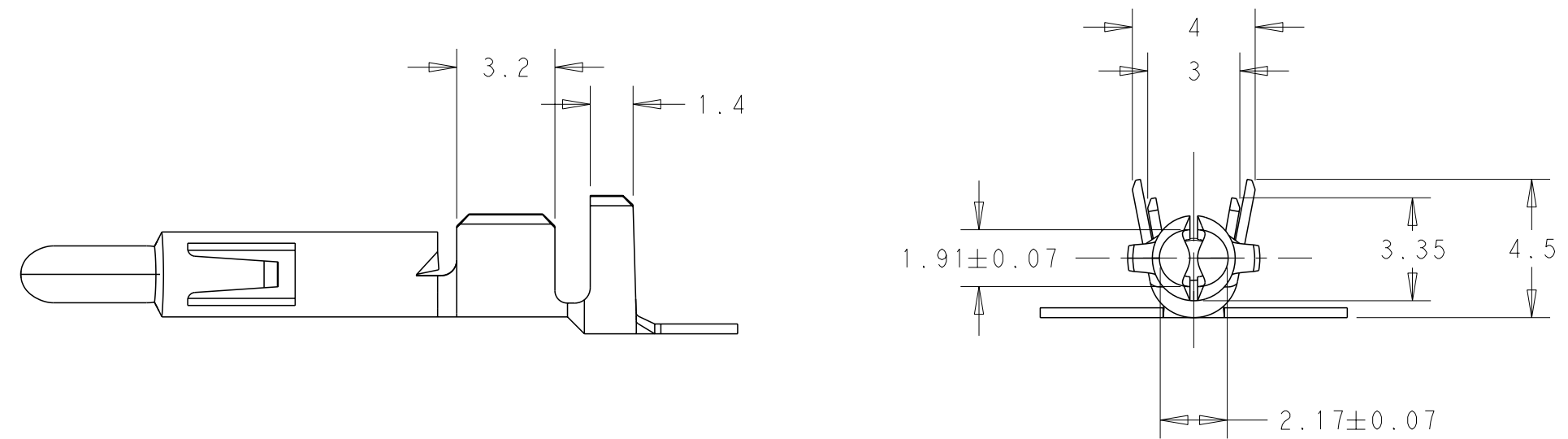
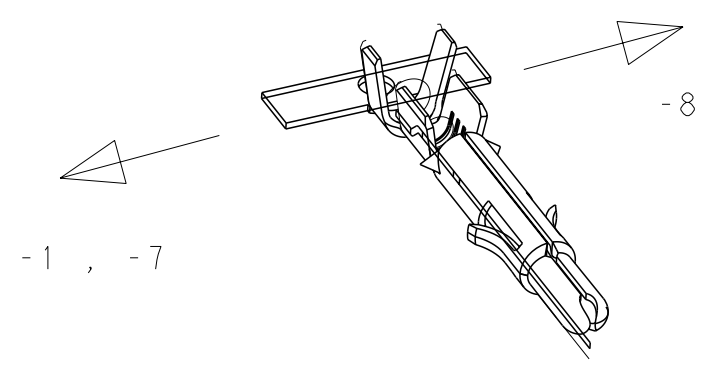


THIS DRAWING IS UNPUBLISHED. RELEASED FOR PUBLICATION 20
 © COPYRIGHT 20 BY - ALL RIGHTS RESERVED.

REVISIONS				
P	LTR	DESCRIPTION	DATE	APVD
P8		REVISED PER ECO-17-002488	22FEB2017	RS KR



- 1 2-6 μm TIN OVER NICKEL IN CRIMP AREA
2-6 μm Sn UBER NI IN DER CRIMPZONE
- 2 0.8 μm GOLD OVER NICKEL IN THE CONTACT ZONE
0.8 μm Au UBER NI IN DER KONTAKTZONE
- 3. FOR INSULATIONS Ø 1.5-3.3 mm
FUR ISOLATIONS Ø 1.5-3.3mm GEELGNET
- 4 0.8 μm GOLD OVER 1.3 μm NICKEL ON INSIDE OF
WIRE BARREL AND THE CONTACT ZONE. OTHERWISE 1.3 μm NI
0.8 μm Au UBER 1.3 μm Ni IN DEN DRAHTCRIMP
UND KONTAKTZONEN, SORST 1.3 μm NI
- 5 DIRECTION OFF TOP OF REEL
- 6 OBSOLETE PARTS: OBSOLETE CIS
STREAMLINING PER D.RENAUD/D.SINISI



6	OBSELETE	-	926887-8	BRASS	5 PRETINNED
		926898-7	926898-7	BRASS	1 2
	SUPERSEDED BY 350687-6	926898-6	926887-6	PHOS BRONZE	1 2
6	OBSELETE	926898-5	926887-5	COPPER ALLOY	PRETINNED
	OBSELETE	926898-4	926887-4	COPPER ALLOY	NONE
		926898-3	926887-3	PHOS BRONZE	PRETINNED
6	OBSELETE	926898-2	926887-2	BRASS	4
		926898-1	926887-1	BRASS	PRETINNED
		LOOSE PIECE	PART-NUMBER	MATERIAL	PLATING/FINISH

THIS DRAWING IS A CONTROLLED DOCUMENT.

DWN R. SMITH 22FEB2017	TE Connectivity
CHK K. RANDOLPH 22FEB2017	
APVD K. RANDOLPH 22FEB2017	
PRODUCT SPEC 108-1031	
APPLICATION SPEC 114-1010	NAME UNIVERSAL M-N-L STIFT DGB 0.5-2.1 mm ²
MATERIAL SEE TABLE	SIZE A2
FINISH SEE TABLE	CAGE CODE -
	DRAWING NO C-926887
	RESTRICTED TO -
CUSTOMER DRAWING	SCALE 5:1 SHEET 1 OF 1 REV P8